

GP Batteries

PRODUCT SPECIFICATION

GP Discovery LED Torch – Outdoor Range
Model : GPLOE102

Revision History

Revision	Date	Initiator	Reason for Change
00	July 30, 2009	Gladys Chan	New release
01	July 10, 2013	Keness Wong	Change lumen value

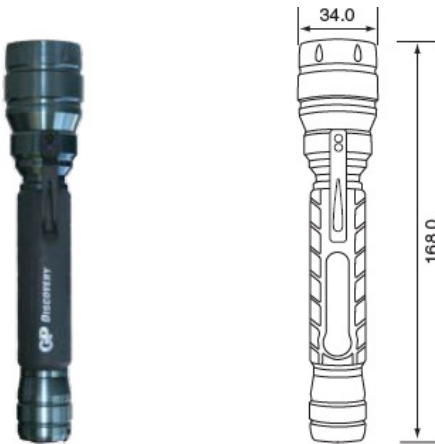
Prepared By	Approved By
Keness Wong	Tom Tsang
Date: July 10, 2013	Date: July 10, 2013

GPI International Limited
Gold Peak Building, 8/F, 30 Kwai Wing Road,
Kwai Chung, New Territories, Hong Kong.
Tel: (852) 2484 3333 Fax: (852) 24805912
Email: gpii@goldpeak.com
Website: <http://www.gpbatteries.com>

GP Batteries

Product Specifications

Model No.: GPLOE102



Unit : mm

Product Name: GP Discovery Torch – Outdoor Range

Product features:


- Anodized aluminum casing
- 5W CREE LED
- Push on/off button
- Comfortable non-slip rubber grip
- Carrying strap & metal clip
- Water resistance

Product specifications:

Power Source	: Powered by 2 x AA Battery
LED type	: 5W CREE LED
LED lifetime	: Up to 50,000 hours
Light output	: Up to 80 ± 10 lm
Intensity	: 3600 cd
Beam distance	: 120 meter approx.
Impact resistance	: 1 meter
Battery runtime	: Approx. 1.5 hours runtime with GP 15AU (Ultra Alkaline)
Product size	: Dia.34 x 168 (L) mm
Product weight	: 134g approx. (torch only)
Approval & Compliance	: CE , RoHS, REACH

Cautions:

Please read all instructions and cautionary markings on the packaging and torch.

 Member
Gold Peak Group

Manufacturer reserves the right to alter or amend the design, model and specification without prior notice.
